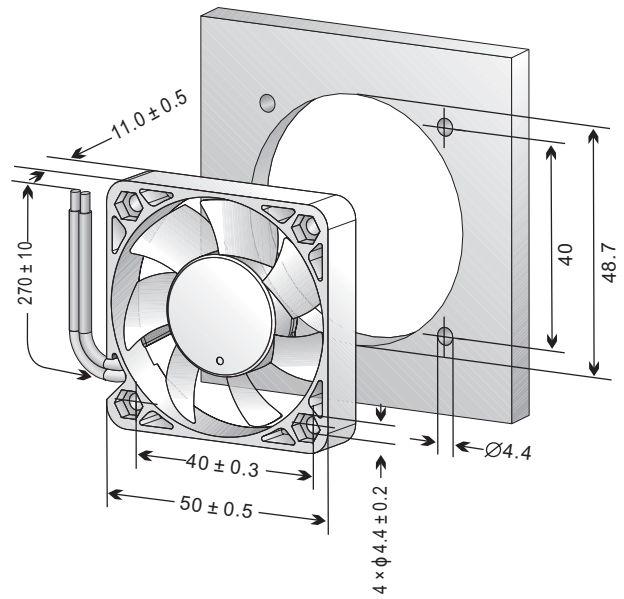


C-SERIES

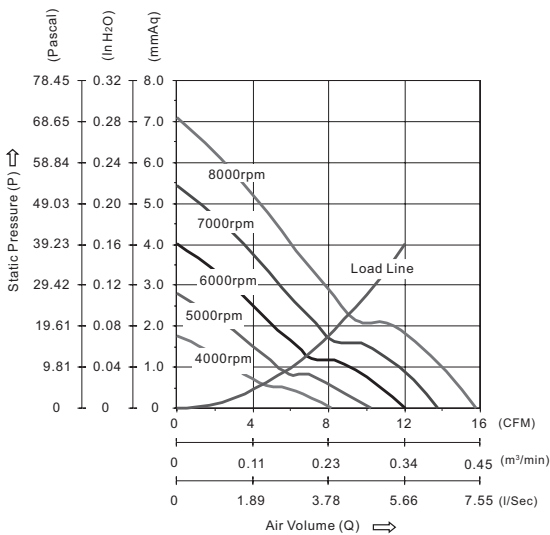


50 x 50 x 10 mm

Frame: Thermoplastic PBT (GF 30%), UL94-V0
 Impeller: Thermoplastic PBT (GF 15%), UL94-V0
 Bearing System: Ball Bearing or Sleeve Bearing
 Lead Wire: UL 1007, AWG 26 / 270 mm, Red (+), Black (-)
 Protection: Locked rotor protected for minimum 72 hours



PQ GRAPH (AT RATED VOLTAGE)



AVAILABLE FUNCTIONS

| 1a. IR | 1b. AS | 1c. MS | 2a. FG | 2b. RD | 2c. RDb | 2d. LD | 3. SG/PWM |
|--------|----------|----------|--------|--------|----------|----------|-----------|
| | ● | | ● | ● | ● | | |
| 4. OV | 5a. TPWM | 5b. RPWM | 6. CL | 7. CS | 8a. VPWM | 8b. IPWM | 8c. PPWM |
| | | | | | | | |

| Part Number | Voltage (VDC) | Current (Amp.) | Power (Watts) | Speed (RPM) | Air Flow (Q) | | Pressure (P) | | Noise (dBA) | Unit Weight (g/TY/CTN) |
|-------------------|---------------|----------------|---------------|-------------|--------------|-----------------------|--------------|-----------------------|-------------|------------------------|
| | | | | | (CFM) | (m ³ /min) | (mmAq) | (In H ₂ O) | | |
| C5010H05BPLBx-7 | 05 (04-06) | 0.212 | 1.06 | 6000 | 12.02 | 0.340 | 4.01 | 0.158 | 33.15 | 20.6 g (800 pcs) |
| C5010M05BPLBx-7 | | 0.136 | 0.68 | 5000 | 10.22 | 0.289 | 2.79 | 0.110 | 30.10 | |
| C5010L05BPLBx-7 | | 0.086 | 0.43 | 4000 | 8.13 | 0.230 | 1.78 | 0.070 | 25.85 | |
| * C5010H12BPLBx-7 | 12 (07-14) | 0.121 | 1.46 | 6000 | 12.02 | 0.340 | 4.01 | 0.158 | 33.15 | 20.6 g (800 pcs) |
| C5010M12BPLBx-7 | | 0.079 | 0.95 | 5000 | 10.22 | 0.289 | 2.79 | 0.110 | 30.10 | |
| C5010L12BPLBx-7 | | 0.044 | 0.53 | 4000 | 8.13 | 0.230 | 1.78 | 0.070 | 25.85 | |
| C5010H24BPLBx-7 | 24 (15-27) | 0.103 | 2.47 | 8000 | 15.74 | 0.446 | 7.09 | 0.279 | 40.11 | 20.6 g (800 pcs) |
| C5010M24BPLBx-7 | | 0.080 | 1.92 | 7000 | 13.77 | 0.390 | 5.42 | 0.214 | 36.65 | |
| C5010L24BPLBx-7 | | 0.060 | 1.44 | 6000 | 12.02 | 0.340 | 4.01 | 0.158 | 33.15 | |

* small quantities available ex stock

- All MICRONEL fans listed here refer to double ball bearing types; Sleeve bearing types may consume about 10% more power for the same speed.
- Noise Measurements are taken with background noise of 16.8 dBA.
- Please see «Function Legend» for explanation of each function.
- Specifications are subject to change without notice.